

VOLT Q5E SIX PACK™

user manual

©2015 ELATION PROFESSIONAL all rights reserved. Information, specifications, diagrams, images, and instructions herein are subject to change without notice. ELATION PROFESSIONAL logo and identifying product names and numbers herein are trademarks of ELATION PROFESSIONAL. Copyright protection claimed includes all forms and matters of copyrightable materials and information now allowed by statutory or judicial law or hereinafter granted. Product names used in this document may be trademarks or registered trademarks of their respective companies and are hereby acknowledged. All non-ELATION brands and product names are trademarks or registered trademarks of their respective companies.

ELATION PROFESSIONAL and all affiliated companies hereby disclaim any and all liabilities for property, equipment, building, and electrical damages, injuries to any persons, and direct or indirect economic loss associated with the use or reliance of any information contained within this document, and/or as a result of the improper, unsafe, insufficient and negligent assembly, installation, rigging, and operation of this product.

Elation Professional USA | 6122 S. Eastern Ave. | Los Angeles, CA. 90040
323-582-3322 | 323-832-9142 fax | www.elationlighting.com | info@elationlighting.com

Elation Professional B.V. | Junostraat 2 | 6468 EW Kerkrade, The Netherlands
+31 45 546 85 66 | +31 45 546 85 96 fax | www.elationlighting.eu | info@elationlighting.eu

DOCUMENT VERSION



Please check www.elationlighting.com for the latest revision/update of this manual.

Date	Document Version	Software Version	DMX Channel Modes	Notes
2/2015	2	≥V1.0.3	4 / 5 / 11 / 12	Added DMX channels modes 11 and 12 (color chase macro speed, dimming curves and white balance).
8/1/16	3	≥V1.0.3	4 / 5 / 11 / 12	
12/08/20	4	≥V1.0.4	No Change	Updated primary/secondary mode

CONTENTS

General Information	4
Warranty	7
Safety Instructions and Guidelines	8
Overview	10
Battery Charging	11
Installation	12
System Menu	15
Internal Wireless DMX Receiver Set Up	23
DMX Channel Functions And Values	25
Cleaning and Maintenance	27
Technical Specifications	28
Optional Accessories	31

GENERAL INFORMATION

INTRODUCTION

Congratulations, you have just purchased one of the most innovative and reliable IP65 rated battery powered LED fixture system on the market today! The fixture has been designed to perform reliably for years when the guidelines in this booklet are followed. Please read and understand the instructions in this manual carefully and thoroughly before attempting to operate this unit. These instructions contain important information regarding safety during use and maintenance.



IP65 RATED

An IP rated lighting fixture is one, which is commonly installed in outdoor environments and has been designed with an enclosure that effectively protects the ingress (entry) of external foreign objects such as dust and water. The **International Protection (IP)** rating system is commonly expressed as "**IP**" (Ingress Protection) followed by two numbers (i.e. IP65) where the numbers define the degree of protection. The first digit (Foreign Bodies Protection) indicates the extent of protection against particles entering the fixture and the second digit (Water Protection) indicates the extent of protection against water entering the fixture. An IP65 rated lighting fixture is one, which has been designed and tested to protect against the ingress of dust (6) and low-pressure water jets from any direction (5).



MARINE/COASTAL ENVIRONMENT INSTALLATIONS!

Please note although this fixture is IP rated, the fixture is **NOT** suitable for marine and/or coastal environment installations. Installing this fixture in a marine and/or coastal environment may cause corrosion and/or excessive wear to the interior and/or exterior components of the fixture. Damages and/or performance issues resulting from installation in a marine and/or coastal environment will void the manufactures warranty and will **NOT** be subject to any warranty claims and/or repairs.



OPTIONAL CORROSION-RESISTANT COATING

Optional Corrosion-Resistant Coatings may be available for this fixture. Please consult your **Elation Professional** sales representative for details.

UNPACKING

Every fixture and road case has been thoroughly tested and has been shipped in perfect operating condition. Carefully check the shipping carton for damage that may have occurred during shipping. If the carton appears to be damaged, carefully inspect your unit for damage and be sure all accessories necessary to operate the unit have arrived intact. In the event damage has been found or parts are missing, please contact our customer support team for further instructions. Please do not return this unit to your dealer without first contacting customer support at the number listed below. Please do not discard the shipping carton in the trash. Please recycle whenever possible.

BOX CONTENTS

- (1) VOLT Q5 Charging Road Case + power Cable
- (6) VOLT Q5E™ Fixtures
- (6) 9.8 ft. (3m) 3pin IP Female to 3pin DMX Male DATA INPUT Cables
- (6) Magnetic Frost Filters
- (6) Omega Brackets

CUSTOMER SUPPORT

Elation Professional® provides a customer support line, to provide set up help and to answer any question should you encounter problems during your set up or initial operation. You may also visit us on the web at www.elationlighting.com for any comments or suggestions. For service related issue please contact Elation Professional®.

ELATION SERVICE USA - Monday - Friday 8:00am to 5:00pm PST

Voice: 323-582-3322

Fax: 323-832-9142

E-mail: support@elationlighting.com

ELATION SERVICE EUROPE - Monday - Friday 08:30 to 17:00 CET

Voice: +31 45 546 85 30

Fax: +31 45 546 85 96

E-mail: support@elationlighting.eu

WARRANTY REGISTRATION

Please complete and mail in the enclosed warranty card or register online: <http://www.elationlighting.com/Login.aspx> to validate your purchase. All returned service items whether under warranty or not, must be freight pre-paid and accompany a return authorization (R.A.) number. The R.A. number must be clearly written on the outside of the return package. A brief description of the problem as well as the R.A. number must also be written down on a piece of paper and included in the shipping container. If the unit is under warranty, you must provide a copy of your proof of purchase invoice. Items returned without a R.A. number clearly marked on the outside of the package will be refused and returned at customer's expense. You may obtain a R.A. number by contacting customer support.



IMPORTANT NOTICE!

There are no user serviceable parts inside this unit. Do not attempt any repairs yourself; doing so will void your manufactures warranty. Damages resulting from modifications to this fixture and/or the disregard of safety and general user instructions found in this user manual void the manufactures warranty and are not subject to any warranty claims and/or repairs.

LIMITED WARRANTY

A. Elation Professional® hereby warrants, to the original purchaser, Elation Professional® products to be free of manufacturing defects in material and workmanship for a period of two years (730 days), and Elation Professional® product rechargeable batteries to be free of manufacturing defects in material and workmanship for a period of six months (180 days), from the original date of purchase. This warranty excludes discharge lamps and all product accessories. This warranty shall be valid only if the product is purchased within the United States of America, including possessions and territories. It is the owner's responsibility to establish the date and place of purchase by acceptable evidence, at the time service is sought.

B. For warranty service, send the product only to the Elation Professional® factory. All shipping charges must be pre-paid. If the requested repairs or service (including parts replacement) are within the terms of this warranty, Elation Professional® will pay return shipping charges only to a designated point within the United States. If any product is sent, it must be shipped in its original package and packaging material. No accessories should be shipped with the product. If any accessories are shipped with the product, Elation Professional® shall have no liability what so ever for loss and/or or damage to any such accessories, nor for the safe return thereof.

C. This warranty is void if the product serial number and/or labels are altered or removed; if the product is modified in any manner which Elation Professional® concludes, after inspection, affects the reliability of the product; if the product has been repaired or serviced by anyone other than the Elation Professional® factory unless prior written authorization was issued to purchaser by Elation Professional®; if the product is damaged because not properly maintained as set forth in the product instructions, guidelines and/or user manual.

D. This is not a service contract, and this warranty does not include any maintenance, cleaning or periodic check-up. During the periods as specified above, Elation Professional® will replace defective parts at its expense, and will absorb all expenses for warranty service and repair labor by reason of defects in material or workmanship. The sole responsibility of Elation Professional® under this warranty shall be limited to the repair of the product, or replacement thereof, including parts, at the sole discretion of Elation Professional®. All products covered by this warranty were manufactured after January 1, 1990, and bare identifying marks to that effect.

E. Elation Professional® reserves the right to make changes in design and/or performance improvements upon its products without any obligation to include these changes in any products theretofore manufactured.

F. No warranty, whether expressed or implied, is given or made with respect to any accessory supplied with the products described above. Except to the extent prohibited by applicable law, all implied warranties made by Elation Professional® in connection with this product, including warranties of merchantability or fitness, are limited in duration to the warranty periods set forth above. And no warranties, whether expressed or implied, including warranties of merchantability or fitness, shall apply to this product after said periods have expired. The consumer's and/or dealer's sole remedy shall be such repair or replacement as is expressly provided above; and under no circumstances shall Elation Professional® be liable for any loss and/or damage, direct and/or consequential, arising out of the use of, and/or the inability to use, this product.

G. This warranty is the only written warranty applicable to Elation Professional® products and supersedes all prior warranties and written descriptions of warranty terms and conditions heretofore published.

SAFETY INSTRUCTIONS AND GUIDELINES

This fixture is an extremely sophisticated piece of electronic equipment. To guarantee a smooth operation, it is important to follow all instructions and guidelines in this manual. The manufacturer of this device is not responsible for injury and/or damages resulting from the misuse of this fixture due to the disregard of the information printed in this manual. Only qualified and/or certified personnel should perform installation of this fixture and only the original rigging parts (omega brackets) included with this fixture should be used for installation. Any modifications to the fixture and/or the mounting hardware included will void the original manufacturer's warranty and increase the risk of damage and/or personal injury.



**PROTECTION CLASS 1 - ROAD CASE MUST BE PROPERLY GROUNDED
FIXTURES MUST PROPERLY GROUNDED BE IF USING POWER CABLES**



DO NOT PLUG FIXTURE OR ROAD CASE INTO A DIMMER PACK!

NEVER OPEN THIS FIXTURE!

UNPLUG POWER BEFORE SERVICING FIXTURE OR ROAD CASE!

NEVER TOUCH FIXTURE DURING OPERATION, AS IT MAY BE HOT!

KEEP FLAMMABLE MATERIALS AWAY FROM FIXTURE!



NEVER LOOK DIRECTLY INTO THE LIGHT SOURCE!

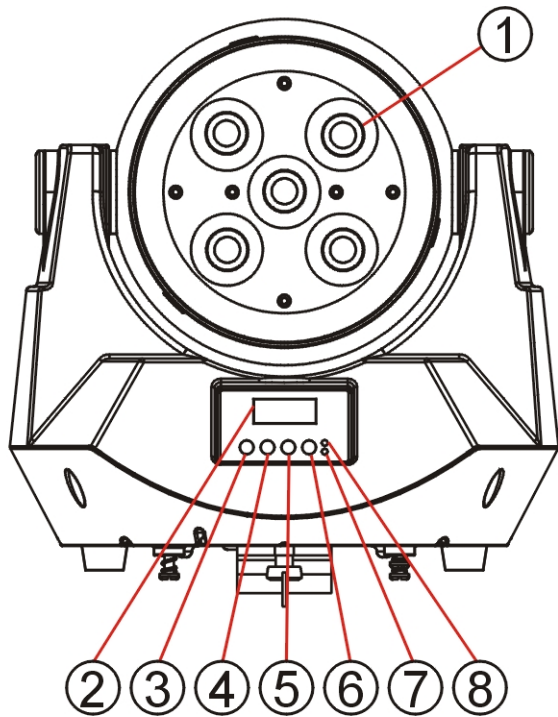
RETINA INJURY RISK - MAY INDUCE BLINDNESS!

SENSITIVE PERSONS MAY SUFFER AN EPILEPTIC SHOCK!

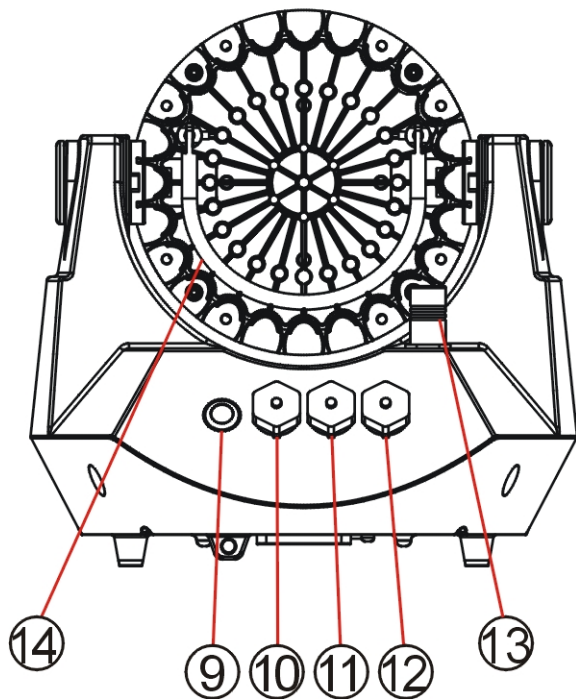
SAFETY INSTRUCTIONS AND GUIDELINES

- **DO NOT TOUCH** the fixture housing during operation. Turn OFF the power and allow approximately 15 minutes for the fixture to cool down before serving.
- **DO NOT** shake fixture, avoid brute force when installing and/or operating fixture.
- **DO NOT** operate fixture or road case if the power cord has become frayed, crimped and/or damaged. If the power cord is damaged, replace it immediately with a new one of similar power rating.
- When installing a fixture in a suspended environment, always use mounting hardware that is no less than M10 x 25 mm, and always install fixture with an appropriately rated safety cable.
- Always disconnect fixture from main power source or charger before performing any type of service and/or cleaning procedure. Only handle the power cord by the plug end, never pull out the plug by tugging the wire portion of the cord.
- During the initial operation of this fixture, a light smoke or smell may emit from the fixture. This is a normal process and is caused by excess paint burning off from the heat associated with the LEDs and will decrease gradually over time.
- Consistent operational breaks will ensure the fixtures will function properly for many years to come.
- Use the road case to transport all 6 units in for service. If you have a need to send less than 6 units, please contract ELATION SERVICE for packaging instructions.

OVERVIEW



1. LED Lens
2. LCD Menu Display
3. MODE/ESC Button
4. UP Button
5. DOWN Button
6. ENTER Button
7. Charge Indicator
8. Wireless DMX Indicator
9. Power Switch
10. Power IN
11. DMX IN
12. DMX OUT
13. Wireless DMX Antenna
14. Carrying Handle



BATTERY CHARGING

The **VOLT Q5E™** internal rechargeable Lithium-Ion battery provides up to **7 hours** of operation at FULL ON 100% intensity.

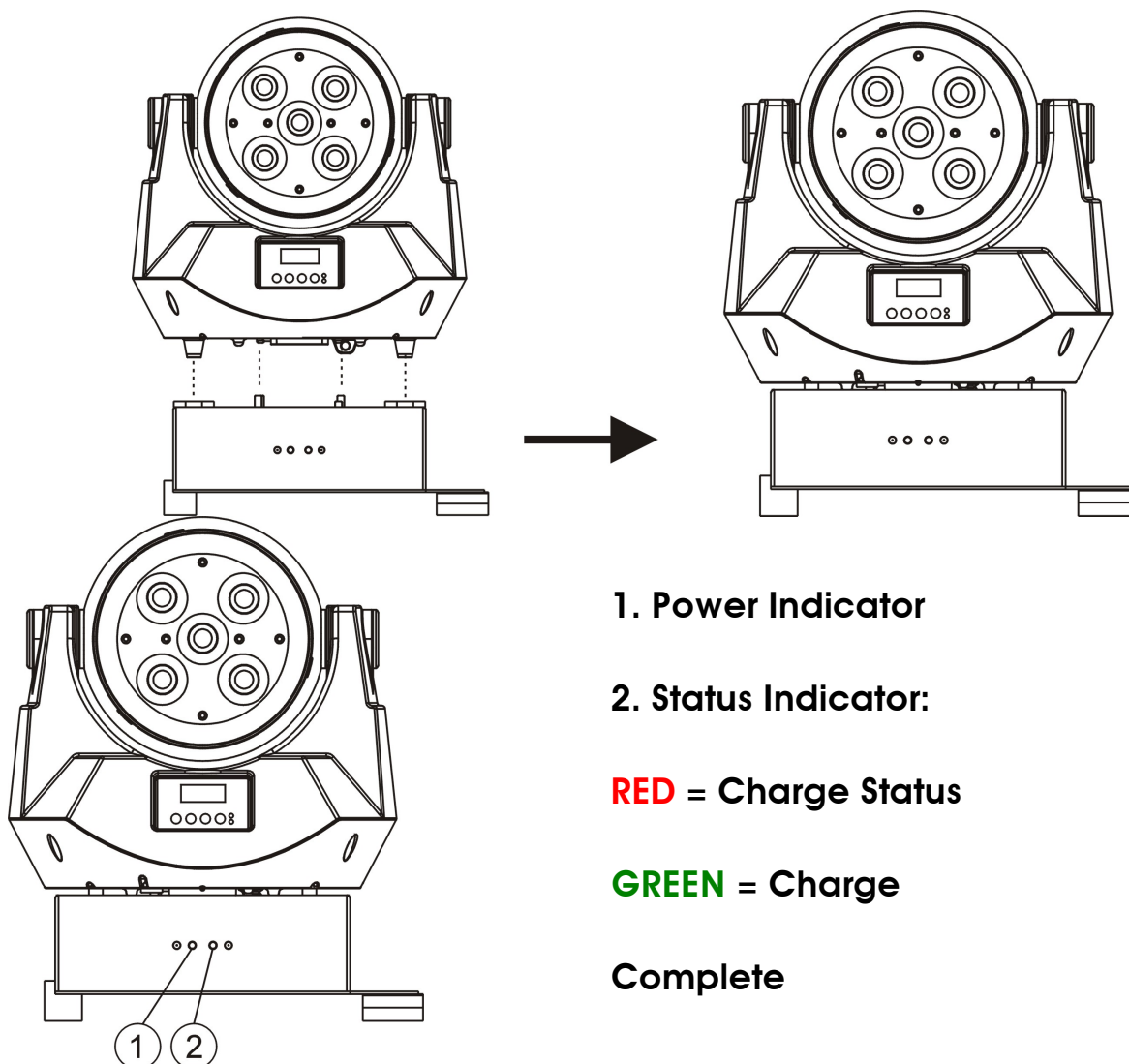
Please note battery life will vary depending on fixture usage and settings, install location temperature, and number of charge cycles.

CHARGE TIME

Units must be placed in charging road case for a period of **8 hours** to fully charge the batteries.

RECHARGING AFTER USE

Connect the unit to the charger when the battery level reaches approximately **20%**. To check the battery life level, access the **BattInfo** menu on unit LCD menu display.



INSTALLATION



FLAMMABLE MATERIAL WARNING

Keep fixture at least 5.0 feet (1.5m) away from any flammable materials, decorations, pyrotechnics, etc.



ELECTRICAL CONNECTIONS

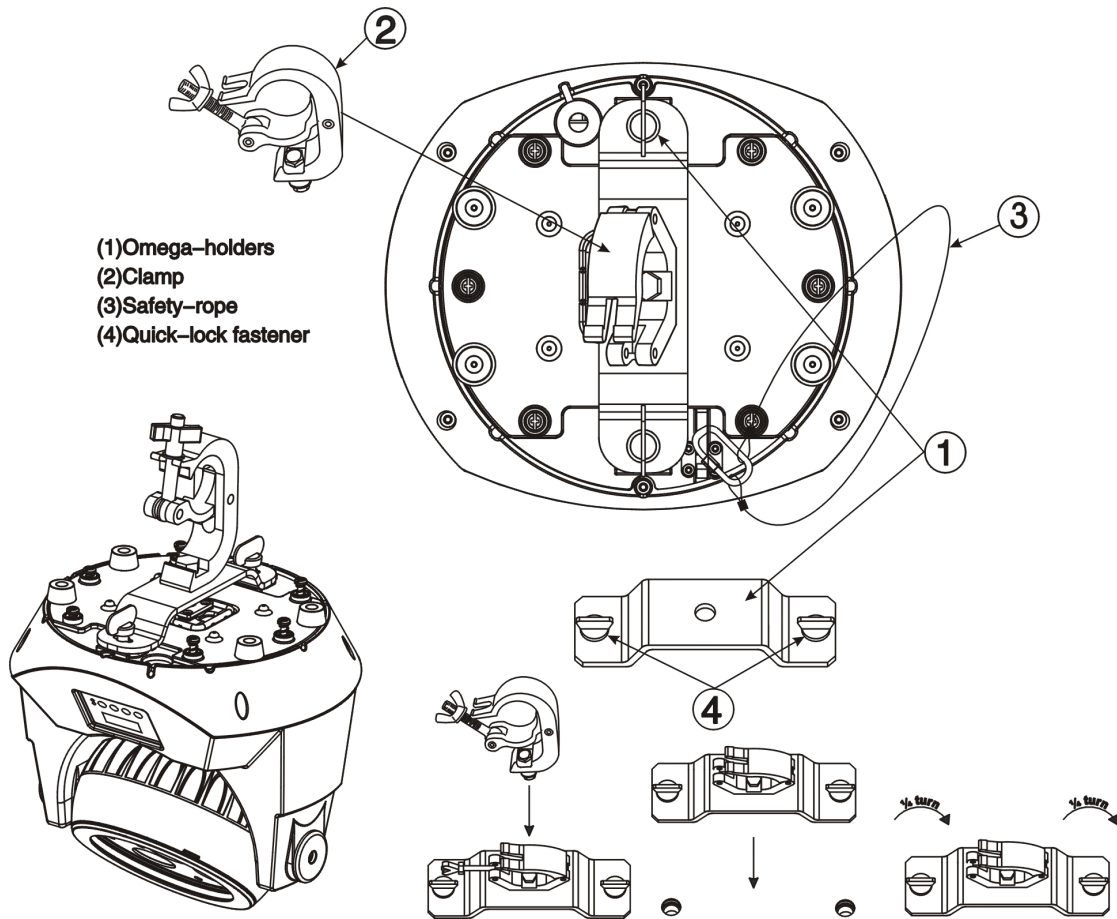
A qualified electrician should be used for all electrical connections and/or installations.

CAUTIONS

- For added protection, mount the fixture in areas outside walking paths, seating areas, or in areas where unauthorized personnel might reach the fixture.
- Ambient operating temperature range for this fixture is **14° - 113°F. (-10° - 45°C)**. Do not use the fixture outside above or below this temperature range.
- Before mounting the fixture to any surface, make sure the installation area can hold a minimum point load of 10 times the weight of the fixture.
- Fixture installation must always be secured with a secondary safety attachment, such as an appropriate safety cable.
- Never stand directly below the device when mounting, removing or servicing.

CLAMP INSTALLATION

The fixture provides a unique mounting bracket assembly that integrates the bottom of the base, the included **Omega Bracket** and **Safety Cable** point in one unit. (See illustration below) When mounting fixture to truss, be sure to secure appropriately rated professional grade rigging clamps to the included **Omega Bracket** using a M10 screw fitted through the center hole of the **Omega Bracket**. The fixture provides a built-in rigging point for a **Safety Cable** on the mounting bracket assembly as illustrated below. Be sure to only use the designated rigging point for the safety cable and never secure a safety cable to a carrying handle.

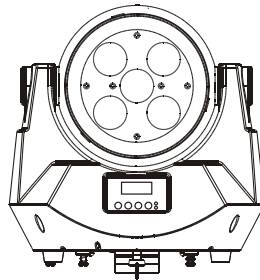
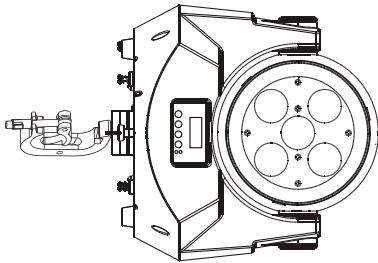
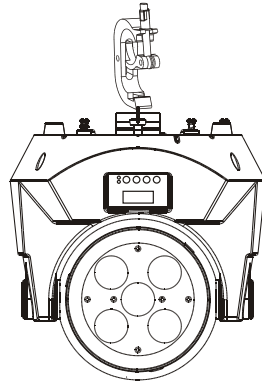


OMEGA BRACKET INSTALLATION

Insert each Omega Bracket into the matching holes on the bottom of the fixture. Secure each Omega Bracket to the fixture by turning each quick-lock fastener $\frac{1}{4}$ turn clockwise; making sure the fastener is completely locked.

RIGGING

Overhead mounting requires extensive experience, including amongst others calculating working load limits, installation material being used, and periodic safety inspection of all installation material and the device. If you lack these qualifications, do not attempt the installation yourself. Improper installation can result in bodily injury. Fixtures are fully operational in the mounting positions illustrated below.



SAFETY CABLE

ALWAYS USE A SAFETY CABLE WHENEVER INSTALLING THIS FIXTURE IN A SUSPENDED ENVIRONMENT TO ENSURE THE FIXTURE WILL NOT DROP IF THE CLAMP FAILS.

SYSTEM MENU

The fixture includes an easy to navigate system menu. The control panel (see image below) located on the front of the fixture, provides access to the main system menu and is where all necessary system adjustments are made to the fixture. During normal operation, pressing **MODE/ESC** button once will access the fixture's main menu. Once in the main menu you can navigate through the different functions and access the sub-menus with the **UP** and **DOWN** buttons. Once you reach a field that requires adjusting, press the **ENTER** button to activate that field and use the **UP** and **DOWN** buttons to adjust the field. Pressing the **ENTER** button once more will confirm your setting. You may exit the main menu at any time without making any adjustments by pressing the **MODE/ESC** button.



INFORMATION DISPLAYED DURING INITIAL POWER ON

When the fixture is initially powered ON, the display shows the following information:



ELATION® VOLT Q5E™ SYSTEM MENU

Features are subject to change without any prior written notice.

MAIN MENU	SUB MENU	OPTIONS / VALUES (Default Settings in BOLD)		DESCRIPTION
FuncMode	Address	A001~AXXX		DMX Address Setting
	ValuDisp	ALL.....		DMX Value Display
	Secondary	Secondary1, Secondary2, Secondary3		Secondary Setting
	AutoProg	Primary / Alone		Auto Program
Info	TimeInfo	Cur Time	XXXX (Hours)	Fixture Run Time From Power ON
		TotalHrs	XXXX (Hours)	Fixture Total Run Time
		Last Hrs	XXXX (Hours)	Clear Fixture Last Run Time
		TimePass	Password=XXX	Password 038
		Clr Last	ON / OFF	Reset Fixture Last Run Time
	TempInfo	HeadTemp	XXX C° / F °	Temperature in Fixture Head
	BattInfo	0-100%		Battery Charge Level
Soft Ver	V1.1.0		Software Version	
Persnal	Stat Set	Addr DMX	ON/OFF	Address Via DMX
		NoDMXSta	CloShut/ Hold /Auto	Auto Run If No DMX
	Disp Set	Off Time	02~59m 05m	Display Shut Off Time
		Key Lock	ON/ OFF	Key Lock
	Temp C/F	Cels/Fahren		Temperature Switch Between C° / F°
	Man Hold	ON/OFF		Manual Hold
	WDMX	WDMXOff		
		ActWDMX		
		AcDaOut		
		ClrWMX		
Reset Default	ON/ OFF		Restore Factory Settings	
ManCntrl	ManCntrl	Auto, Red, Gree, Blue, Whit, Stro, Dimm, Macr, Temp....		Manual Control
Mode Set	User Mode	4CH		DMX Channel Modes
		5CH		
		11CH		
		12CH		
EditProg	Sel Prog	ProPart1 = Prog 1~10 (Program 1)		Select Programs To Be Run
		Pro Part2 = Prog 1~10 (Program 2)		
		Pro Part3 = Prog 1~10 (Program 3)		
	Edit Prog	Prog 1	ProgTest	Testing Program
		:	EdStep01=SCxxx	Program In Loop
		Prog 10	EdStep64=SCxxx	Save and Exit
	EditScen	Scen001 ~ Scen250	Auto....	Save and Automatically Return
			--Scen Time--	Manual Scenes Edit
RecCntrl	XX~XX	InByOut	Stores Scenes via Ext DMX Console	
			Automatic Scenes Recorder	

FuncMode

Address

Define desired DMX address via the Control Panel.

ValuDisp

Display DMX 512 value of each channel.

Secondary

Define fixture Secondary mode (**Secondary1, Secondary2, Secondary3**).

AutoProg

Define fixture mode (**Primary or Alone**) for running Auto Programs. Select desired internal programs under "**Sel Prog**", set the number of steps under "**EditProg**", and edit individual scenes under "**EditScen**".

Info

TimeInfo

Cur Time

Displays fixture run time from last power ON.
The counter is reset after each time the fixture is powered OFF.

TotalHrs

Displays fixture total run time.

Last Hrs

Displays fixture run time for a given period of time (i.e. rental period).
This counter can be reset.

TimePass

Display the fixture timer password. **(038)**

Clr Last

Resets the last run time of the fixture.

TempInfo

HeadTemp

Displays temperature of the fixture.

BattInfo

Displays the charge % level of the battery.

Soft Ver

Displays software version of the fixture.

Personal

Stat Set

Addr DMX

When ON, define the desired DMX address via an external controller.

1. Connect the fixture to the external controller and power ON.
2. Set the DMX value of **Channel 1** on the controller to **(7)**.
3. Set the DMX value of **Channel 2** on the controller to **(7)** or **(8)**.
When set to **(7)**, the DMX address can be set between **(1)** and **(255)**.
When set to **(8)**, the DMX address can be set between **(256)** and **(511)**.
4. Using **Channel 3** on the controller set the desired DMX address of the fixture.

Example 1:

If the desired DMX address is **57**, set **Channel 1** to a value of **(7)**, set **Channel 2** to a value of **(7)**, and then set **Channel 3** to a value of **(57)**.

Example 2:

If the desired DMX address is **420**, set **Channel 1** to a value of **(7)**, set **Channel 2** to a value of **(8)**, and then set **Channel 3** to a value of **(164)**.
(256+164=420)

5. After setting **Channel 3** to the desired DMX address value, wait for approximately 20 seconds for the fixture to complete the address reset function.

NoDMXSta

Define how fixture operates if NO DMX signal is detected.

Disp Set

Off Time

Define minutes before the LCD Menu display will automatically shut OFF.

Key Lock

When ON, Control Panel buttons lock automatically after exiting main menu for 15 seconds. To unlock, keep **MODE/ESC** button pressed for 3 seconds.

Temp C/F

Define how fixture displays internal temperature (Celsius or Fahrenheit).

Man Hold

WDMX

Control the functionality of the internal wireless WDMX receiver.

ResetDef

When ON, all factory settings are restored.

ManCntrl

ManCntrl

Select and manually test and fine adjust each individual channel function independently from DMX control board. This function will cancel all effects, open the shutter, and the dimmer is set to 100%. With the individual functions, you can focus the light on a flat surface (wall) and perform fine adjustments.

Mode Set

UserMode

Select operating mode, which includes DMX Channel and User defined modes.

EditProg

Sel Prog

Select one of the (10) user defined internal Auto Programs.

EditProg

Edit any of the (10) user defined internal Auto Programs.

EditScen

Edit any of the scenes of the internal Auto Programs.

RecCntrl

The fixture features an integrated DMX-recorder by which you can transmit the programmed scenes from your DMX-controller to the fixture. Adjust the desired scene numbers via the encoder (from – to). When you call up the scenes at your controller, they will automatically be transmitted to the fixture.

EDIT PROGRAM – Record Controller – Working With Built In Programs

A Primary unit can send up to 3 different data groups to the Secondary units, i.e. a Primary unit can start 3 different Secondary units, which run 3 different programs. The Primary unit sends the 3 program parts in a continuous loop.



The Secondary unit receives data from the Primary unit according to the group which the Secondary unit was assigned to. If e.g. a Secondary unit is set to “**Secondary 1**” in the menu “**Secondary**”, the Primary unit sends “**Prog 1**” to the Secondary unit.

If set to “**Secondary 2**”, the Secondary unit receives “**Prog 2**”.

To start an Auto Program proceed as follows:

1. Secondary Setting

- Select “**FuncMode**”.
- Press **ENTER** to confirm.
- Select “**Secondary**”.
- Press **ENTER** to confirm.
- Select “**Secondary 1**”, “**Secondary 2**” or “**Secondary 3**”.
- Press **ENTER** to confirm.
- Press **MODE/ESC** in order to return to the main menu.

2. Automatic Program Run

- Select “**FuncMode**”.
- Press **ENTER** to confirm.
- Select “**AutoProg**”.
- Press **ENTER** to confirm.
- Select “**Primary**” or “**Alone**”.
- Press **ENTER** to confirm.

- Press **MODE/ESC** in order to return to the main menu.

EDIT PROGRAM – Record Controller – Working With Built-In Program [continued]

3. Program Selection for Auto Pro Part

- Select “**EditProg**”.
- Press **ENTER** to confirm.
- Select “**Sel Prog**”.
- Press **ENTER** to confirm.
- Select “**ProPart1**”, “**ProPart2**” or “**ProPart3**”, and select which Secondary program is to be sent. Selection “**Prog 1**” means, that the Secondary unit runs the same program as the Primary units.
- Press **ENTER** to confirm.
- Press **MODE/ESC** in order to return to the main menu.

4. Program Selection for Edit Program

- Select “**EditProg**”.
- Press **ENTER** to confirm.
- Select the desired program. With this function you can edit specific scenes into a specific program.
- Press **ENTER** to confirm.
- Press **MODE/ESC** in order to return to the main menu.

5. Automatic Scene Recording

- Select “**EditProg**”.
- Press **ENTER** to confirm.
- Select “**EditScen**”.
- Select desired scene numbers. A maximum of 250 scenes can be programmed.
- Press **ENTER** to confirm.
- Press **MODE/ESC** in order to return to the main menu.

EDIT PROGRAM – Record Controller – Working With Built-In Program [continued]

Example:

Prog 2 includes scenes: 10, 11, 12, & 13

Prog 4 includes scenes: 8, 9, & 10

Prog 6 includes scenes: 12, 13, 14, & 15

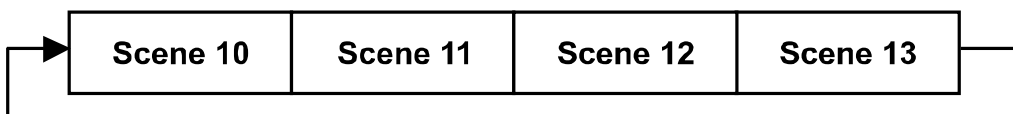
ProPart1 is Prog 2

ProPart2 is Prog 3

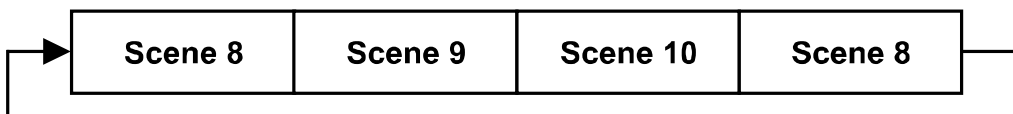
ProPart3 is Prog 6

The 3 Secondary groups run the Auto Program in certain time segments, as shown in the following picture:

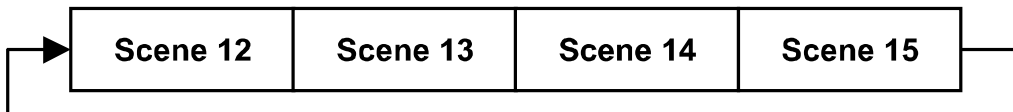
Part 1:



Part 2:



Part 3:



INTERNAL WIRELESS DMX RECEIVER (EWDMX)

The **VOLT Q5E™** is equipped with an internal **Elation** Wireless DMX Receiver, which is fully compatible with an **Elation** Wireless DMX System.

WORKING WITH THE INTERNAL WIRELESS DMX (EWDMX) System

Access the “**WDMX**” sub menu from the “**PERSNAL**” menu. The “**WDMX**” sub menu allows you to “**ActWDMX**” (turn **ON**) the system, “**AcDaOut**” (turn **ON**) the system and send (**DMX data OUT**) to the wired output port, “**WDMXOff**” (turn **OFF**) the system, or “**ClrWDMX**” (**CLEAR**) the **EWDMX** system.

When the **EWDMX** system is in the “**ActWDMX**” mode, the internal DMX “**IN**” XLR jacks are turned OFF. However the internal DMX “**OUT**” XLR jacks will function normally. If the fixture is powered ON with the internal **EWDMX** system “**ActWDMX**”, it will automatically scan for a wireless DMX signal from an **Elation Wireless DMX Transmitter**. If NO wireless signal is received, it will switch to the wired DMX mode.



W A R N I N G !

NEVER connect a fixture to a controller via a DMX cable when the EWDMX system is in use. This could cause serious damage to the controller!!

SETTING UP THE EWDMX SYSTEM

Follow the instructions included with the **Elation EWDMX Transmitter** and connect it to the output of your DMX controller.

To sync your fixture with the **Elation EWDMX Transmitter** follow the steps below

- Initially, the **EWDMX** indicator on the fixture should be solid **RED**.
- Press and hold the configuration button on your **EWDMX Transmitter** for about 3 seconds. The **RED/GREEN LED** indicators on the **EWDMX Transmitter** and the fixture should then begin to flash rapidly for 5~ 10 seconds while the two systems pair.
- Once the fixture is paired with the **EWDMX Transmitter (T1)**, the **EWDMX** status indicators on the both the fixture and the **EWDMX Transmitter** will stop flashing and glow solid **GREEN**. If pairing is unsuccessful repeat the process until pairing is secured.
- The fixture will store the pairing information inside a nondestructive memory bank once a link is created between the fixture and an **EWDMX Transmitter**. The fixture will remember the paired **EWDMX Transmitter** even if the fixture is turned OFF for extended periods of time.

CLEARING EWDMX TRANSMITTER LINK

- Access the fixture's main menu and toggle to the "**PERSNAL**" menu, then access the "**WDMX**" sub menu and select "**CirWDMX**" to clear any existing link between the fixture and a **EWDMX Transmitter**. The **EWDMX** indicator on the fixture will turn solid **RED** when the link is severed.
- You may also clear the link directly from the **EWDMX Transmitter**. First, be sure the fixture(s) is powered ON, and then hold down the configuration button on the **WDMX Transmitter** for as least 5 seconds. This will automatically clear the link between the **EWDMX Transmitter** and any fixture that is powered ON. All **EWDMX** indicators will glow solid **RED** if the procedure was successful.

EWDMX INDICATORS

RED/GREEN (Rapid Flashing) = Syncing to a EWDMX Transmitter

RED/GREEN (Slow Flashing) = Paired with a EWDMX Transmitter but not receiving a DMX signal from a controller.

GREEN (Solid) = Paired with a EWDMX Transmitter and receiving DMX data

RED (Solid) = Not paired with a EWDMX Transmitter (FREE)

DMX CHANNEL FUNCTIONS AND VALUES

ELATION® VOLT Q5E™					
DMX Channel Values / Functions VERSION 2 (12 DMX Channels)					
DocDate	2/6/2015	Soft Ver	≥1.0.3		
Specifications are subject to change without any prior written notice.					
MODE / CHANNEL				VALUE	FUNCTION
4 CH	5 CH	11 CH	12 CH		
1	1	1	1		RED
				0-255	Red (0-100%)
2	2	2	2		GREEN
				0-255	Green (0-100%)
3	3	3	3		BLUE
				0-255	Blue (0-100%)
4	4	4	4		WHITE
				0-255	White (0-100%)
		5	5		COLOR CORRECTION
				0	NO Function
				1-255	1 = 2,700K / 255 = 7,200K
		6	6		COLOR MACROS
				0	NO Function
				1-7	Color Macro 1
				8-15	Color Macro 2
				16-23	Color Macro 3
				24-31	Color Macro 4
				32-39	Color Macro 5
				40-47	Color Macro 6
				48-55	Color Macro 7
				56-63	Color Macro 8
				64-71	Color Macro 9
				72-79	Color Macro 10
				80-87	Color Macro 11
				88-95	Color Macro 12
				96-103	Color Macro 13
				104-111	Color Macro 14
				112-119	Color Macro 15
				120-127	Color Macro 16
				128-135	Color Macro 17
				136-143	Color Macro 18
				144-151	Color Macro 19
				152-159	Color Macro 20
				160-167	Color Macro 21
				168-175	Color Macro 22
				176-183	Color Macro 23
				184-191	Color Macro 24
				192-199	Color Macro 25
				200-207	Color Macro 26
				208-215	Color Macro 27
				216-223	Color Macro 28
				224-231	Color Macro 29
				232-239	Color Macro 30
				240-247	Color Macro 31
				248-255	Color Macro 32

ELATION® VOLT Q5E™					
DMX Channel Values / Functions VERSION 2 (12 DMX Channels)					
Doc Date		2/6/2015	Soft Ver		≥1.0.3
Specifications are subject to change without any prior written notice.					
MODE / CHANNEL				VALUE	FUNCTION
4 CH	5 CH	11 CH	12 CH		
			7		COLOR CHASE MACROS
				0	NO Function
				1-30	Chase Macro 1
				31-60	Chase Macro 2
				61-90	Chase Macro 3
				91-120	Chase Macro 4
				121-150	Chase Macro 5
				151-180	Chase Macro 6
				181-210	Chase Macro 7
				211-255	Chase Macro 8
		7	8		SHUTTER / STROBE
				0-31	LEDs OFF
				32-63	LEDs ON (NO STROBE)
				64-95	STROBE Effect SLOW to FAST
				96-127	LEDs ON (NO STROBE)
				128-159	STROBE Pulse Effect In Sequences
				160-191	LEDs ON (NO STROBE)
				192-223	Random STROBE Effect SLOW to FAST
		224-255	LEDs ON (NO STROBE)		
	5	8	9		DIMMER INTENSITY / CHASE MACRO SPEED*
				0-255	Intensity 0 to 100% / Speed SLOW to FAST
		9	10		DIMMING MODES
				0-20	STANDARD
				21-40	STAGE
				41-60	TV
				61-80	ARCHITECTURAL
				81-100	THEATER
				101-255	Default to Unit Setting
		10	11		COLOR ENABLE
				0-189	NO Function
				190-255	Store WHITE BALANCE Enabled
		11	12		COLOR MODE
				0-189	NO Function
				190-254	EDIT a New WHITE BALANCE Value
				255	STORE a New WHITE BALANCE Value

CLEANING AND MAINTENANCE



C A U T I O N

Disconnect power before cleaning or maintenance.

CLEANING

Frequent cleaning is recommended to insure proper function, optimized light output, and an extended life. The frequency of cleaning depends on the environment in which the fixture operates: damp, smoky or particularly dirty environments can cause greater accumulation of dirt on the fixture's optics.

- Clean the external lens surface at least every 20 days with a soft cloth to avoid dirt/debris accumulation.
- Never use alcohol, solvents, or ammonia based cleaners.

MAINTENANCE

Regular inspections are recommended to insure proper function and extended life. There are no user serviceable parts inside this fixture, please refer all other service issues to an authorized Elation service technician. Should you need any spare parts, please order genuine parts from your local Elation dealer.

Please refer to the following points during routine inspections:

- A detailed electric check by an approved electrical engineer every three months, to make sure the circuit contacts are in good condition and prevent overheating.
- Be sure all screws and fasteners are securely tightened at all times. Loose screws may fall out during normal operation resulting in damage or injury as larger parts could fall.
- Check for any deformations on the housing, color lenses, rigging hardware and rigging points (ceiling, suspension, trussing). Deformations in the housing could allow for dust to enter into the fixture. Damaged rigging points or unsecured rigging could cause the fixture to fall and seriously injure a person(s).
- Electric power supply cables must not show any damage, material fatigue or sediments. Never remove the ground prong from the power cable.

TECHNICAL SPECIFICATIONS

FEATURES

IP65 Rated
9° Beam and 17° Field Angles
180°+ Manual LED Head Positioning
Variable Color Correction (2,700K - 7,200K)
Internal Wireless EWDMX Receiver
Rechargeable Lithium-Ion Battery
Flicker Free Operation for TV and FILM
Rugged Die-Cast Aluminum Exterior
Rubber Padded Base and Retractable Carrying Handle

SOURCE

(5) 10W QUAD Color RGBW LEDs
100,000 Hour Average Life*

*May vary depending on several factors including but not limited to:
Environmental Conditions, Power/Voltage, Usage Patterns (On-Off Cycling), Control, and Dimming.

EFFECTS

Variable Color Correction (2,700K - 7,200K)
Magnetic Frost Filter Gel Frame
Electronic Strobe and Dimming
Variable Dimming Curves
Multiple Color and Chase Macros

CONTROL / CONNECTIONS

(4) DMX Channel Modes (4 / 5 / 11 / 12)
Internal Wireless EWDMX Receiver
(4) Button Control Panel
LCD Menu Display
3pin IP DMX In/Out
2pin IP Power Charger In

VOLT Q5E™ SIZE / WEIGHT (single unit)

Length: 11.4" (290mm)
Width: 9.9" (252mm)
Vertical Height: 11.4" (289mm)
Weight: 17.0 lbs. (7.7 kg)

VOLT Q5™ ROAD CASE SIZE / WEIGHT (loaded with 6 units)

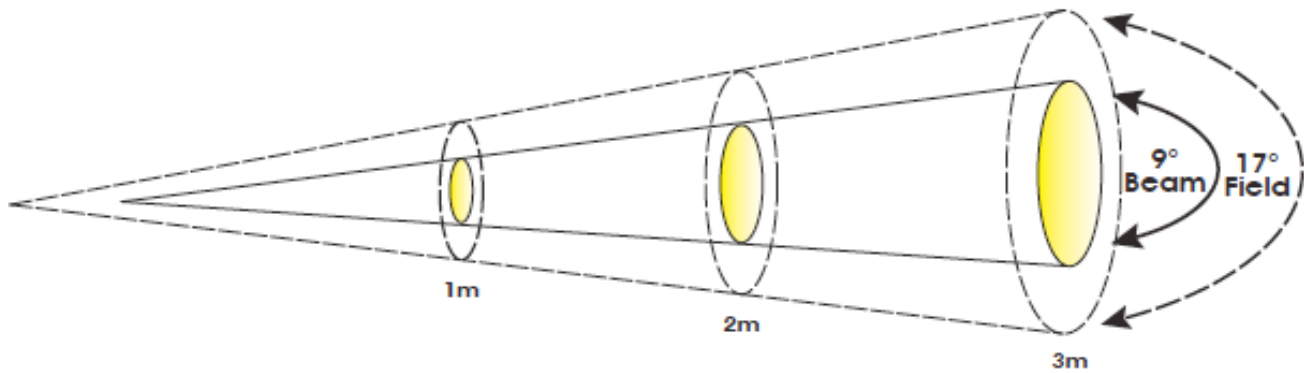
Length: 44.0" (1118mm)
Width: 22.0" (560mm)
Vertical Height: 21.6" (548mm)
Loaded Weight: 240.0 lbs. (109 kg)

ELECTRICAL / THERMAL

Max Power Consumption: 265 Watts
In-Rush Current: 325 Watts
14°F to 113°F (-10°C to 45°C)

Please Note: Specifications and improvements in the design of this unit and this manual are subject to change without any prior written notice.

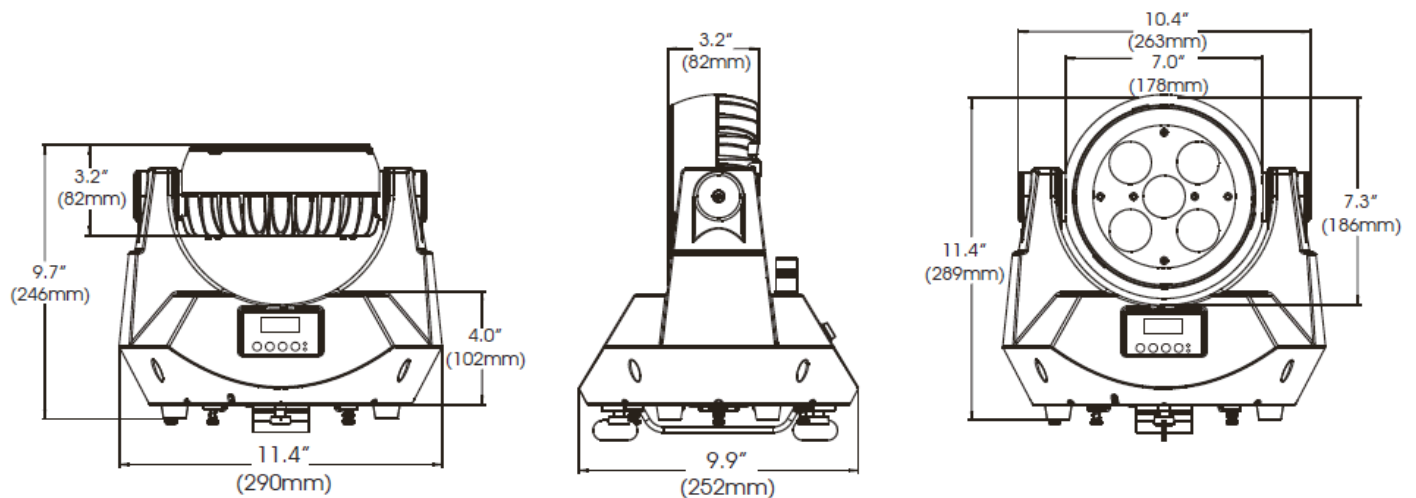
PHOTOMETRIC DATA



Distance	m	ft	m	ft	m	ft
	1	3.3	2	6.6	3	9.8
9° Beam Diameter	0.17	0.6	0.34	1.1	0.51	1.7
17° Field Diameter	0.31	1.0	0.62	2.0	0.93	3.1
Photometrics	lux	fc	lux	fc	lux	fc
RED LEDs	8,100	752	2,080	193	940	87
GREEN LEDs	11,970	1,112	3,270	304	1,488	138
BLUE LEDs	1,660	154	470	44	212	20
WHITE LEDs	20,790	1,931	5,345	497	2,430	226
FULL ON	38,450	3,572	10,320	959	4,710	438

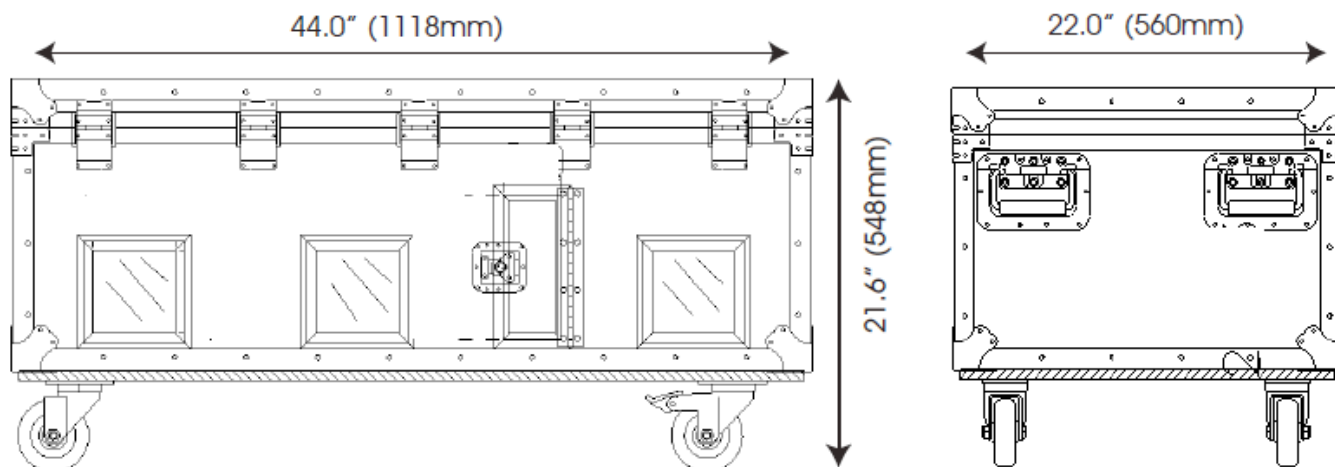
Please Note: Specifications and improvements in the design of this unit and this manual are subject to change without any prior written notice.

VOLT Q5E™ DIMENSIONAL DRAWINGS



Please Note: Specifications and improvements in the design of this unit and this manual are subject to change without any prior written notice.

VOLT Q5™ ROAD CASE DIMENSIONAL DRAWINGS



OPTIONAL ACCESSORIES

ORDER CODE	ITEM
TRIGGER CLAMP	Heavy Duty Wrap Around Hook Style Clamp
EWD001	EWDMX IP Wireless IP65 DMX Transceiver
VOLT5CHARGER	VOLT Q5E 26.2 VDC Charger + IEC Power Cable
VOLT/3MDLC	VOLT Series 9.8 ft. (3m) 3pin Male IP to 3pin Female IP DATA LINK Cable
VOLT/DIAC	VOLT Series 9.8 ft. (3m) 3pin IP Female to 3pin DMX Male DATA INPUT Cable
VOLT/DOAC	VOLT Series 9.8 ft. (3m) 3pin Female IP to 3pin DMX Female DATA OUTPUT Cable

